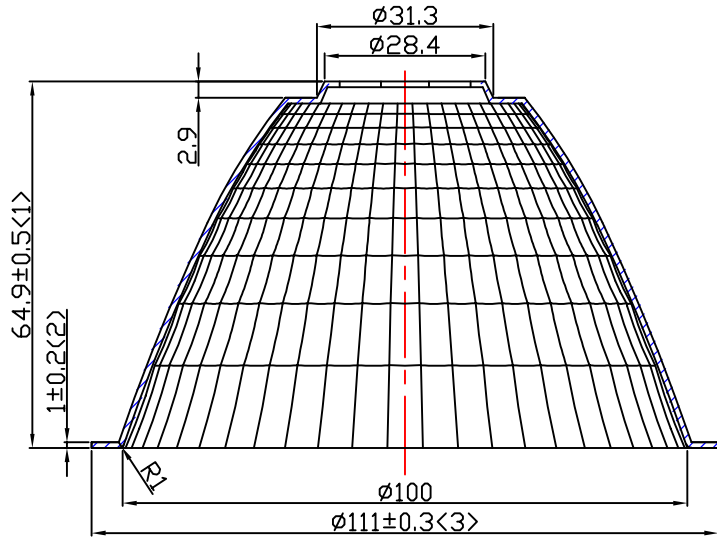
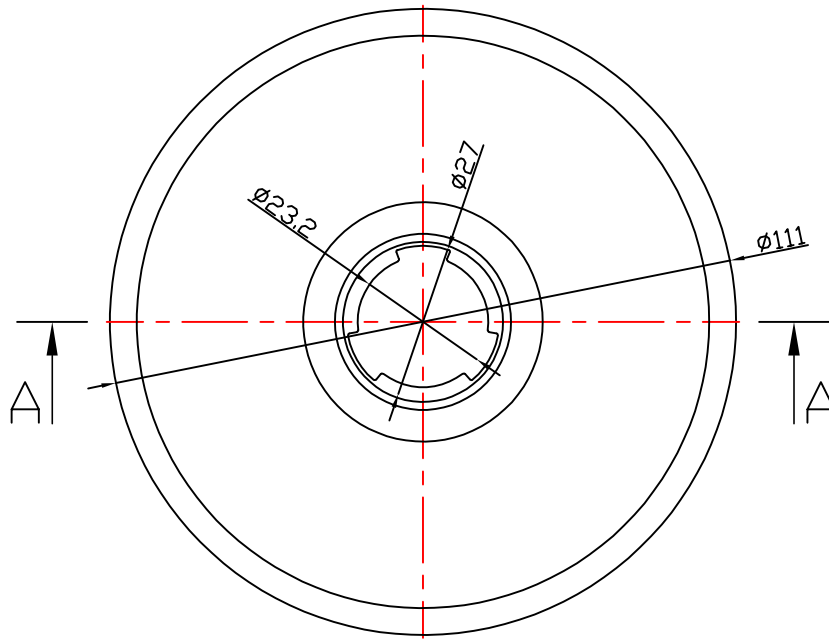


table for unmentioned tolerance in the drawing (unit: mm)			punch angle tolerance in the drawing (unit:degree)		
0-5	5-30	30-120	0-10	10-50	50-120
±0.15	±0.2	±0.5	±1°	±0.5°	±0.3°
120-250	250-400	400-700	120-250	250-360	360 above
±0.8	±1.5	±2	±0.2°	±0.166°	±0.083°



A-A



Light Source	PHILIPS SLM 1208 G7
PlasticHolder	
Metal Adaptor	92.76.323.00
Design Angle	24° ±3°
Measured Angle	23.7°

						Material:T:1.0 1090AL				<b>Nata®</b> <b>NATA Lighting Co.,Ltd</b>		
												Customer Item
Mark	Amended Times	Amended Content			Signature	Amended Date					Customer Code	NT
Controll Version	AO	Design Version	KO		Client Version						Product Number	91.04.2109.000
Designer		Drawing by		Proportion	1:1					Product Name	4-2109-E	
Technology		Auditor		View								
Approval		Date	2019.06.21	Page	Total Page							